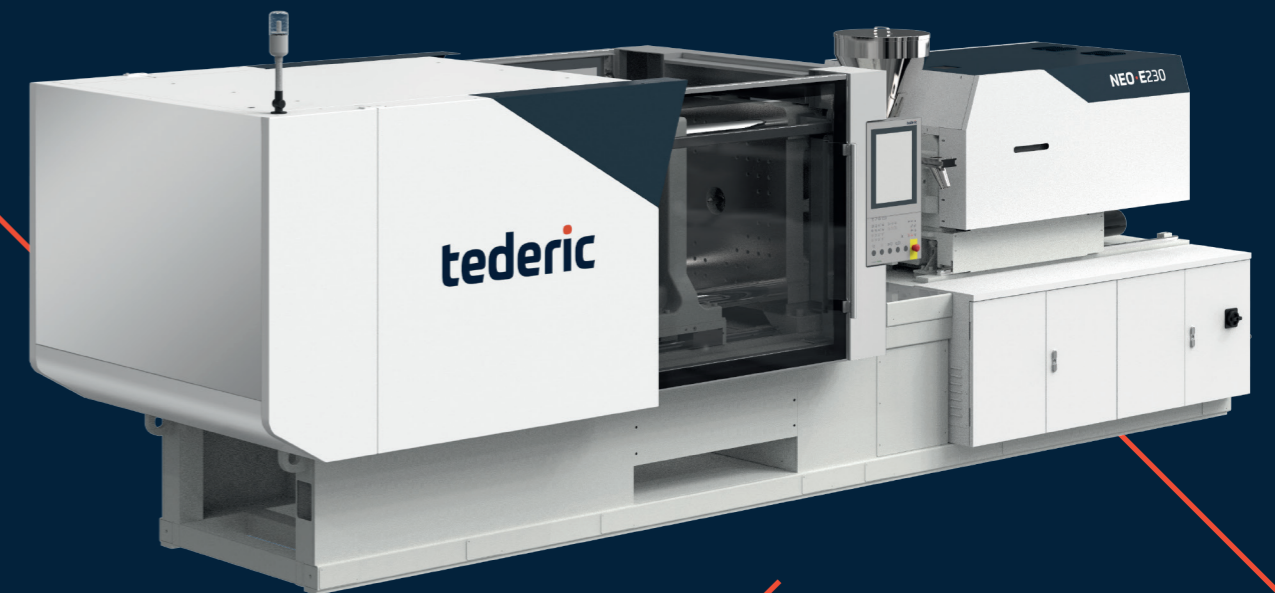


# discover **NEO·E**

High-end  
**Electric**  
Injection Molding Machine



**Tederic Machinery Co., Ltd.**  
No.245 Wenze North Road,  
Hangzhou City, Zhejiang Province, 310018, China  
T. +86-571-86733387  
[www.tedericglobal.com](http://www.tedericglobal.com)

**tederic**  
SMART INJECTION

# NEO·E

New High-end Electric IMM

With the brand concept of extreme purity, pioneer and high performance, and excellent technological innovation. NEO-E has superb electric technology and rich application experience.

**NEO·E** Full-Electric IMM Clamping force: 55t- 460t

**NEO·Ec** Hybrid IMM Clamping force: 168t - 1088t

**Precision, Efficient, Energy-saving, Clean**

Main application sectors



Automotive



Electronic



Medical



Packaging



# NEO·E

## Clamping Unit

### Technical Advantages

- Precision controlled by servo motor, repetitive positioning accuracy of mold opening position is up to 0.01mm
- No lubrication of tie bar, optimizing the cleanliness of the clamping unit
- Huge mold capacity to achieve cross-level benchmarking of parameters
- High standard manufacturing requirements, template parallelism is controlled within 0.15mm/m

#### Toggle structure with 5 point

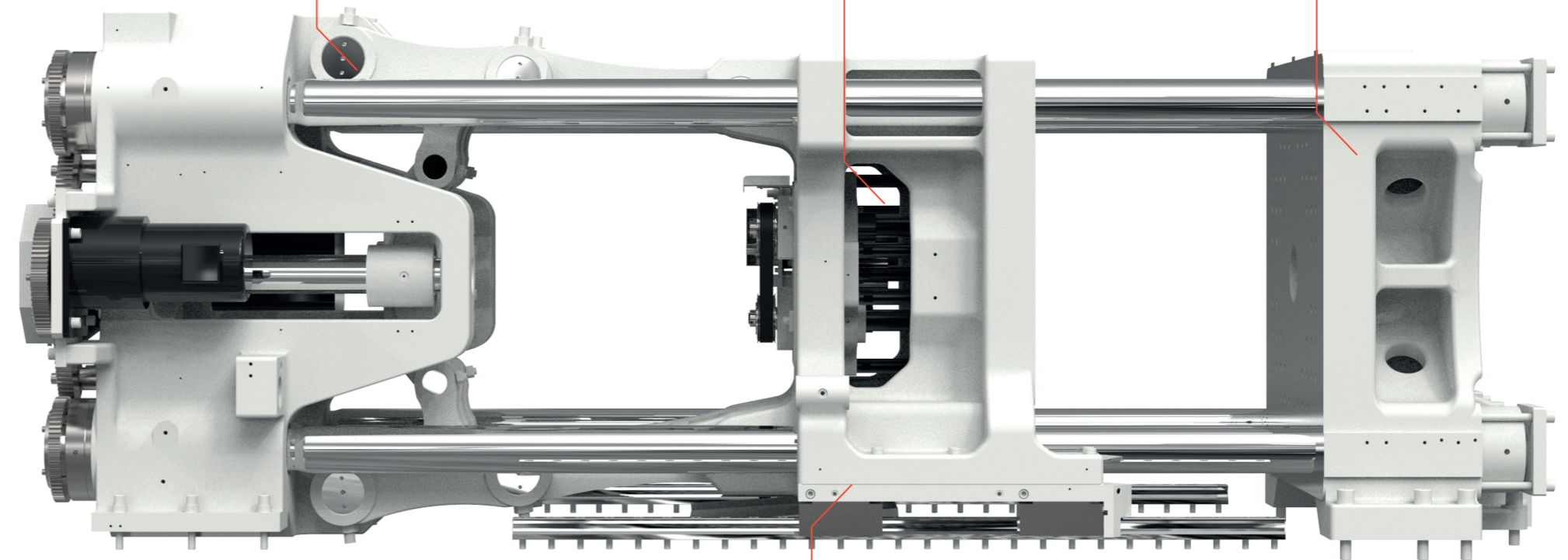
The strengthened platen and the stabilized toggle structure are respectively designed by professional mechanics analysis and professional motion analysis. The central pressing effect of the V-shaped toggle mechanism makes the clamping force evenly transmitted to the mold. Reduce the excess clamping force and protect the life of the mold.

#### Ejector pin motor with brake

The ejector pin will not retreat even when the door is opened or the power is cut off, ensuring the safety of the operator.

#### High-strength platen material combined with ultra-high rigid platen structure

The platen strength is increased by 33%, and the hardness is increased by 18%. Reduce mold deformation, increase mold service life, and improve product consistency.



#### Linear guide structure is used for moving platen

Improve the load-bearing capacity of the mold; improve the parallelism and positioning accuracy of the platen; reduce energy consumption; optimize the cleanliness of the clamping unit.

# NEO·E

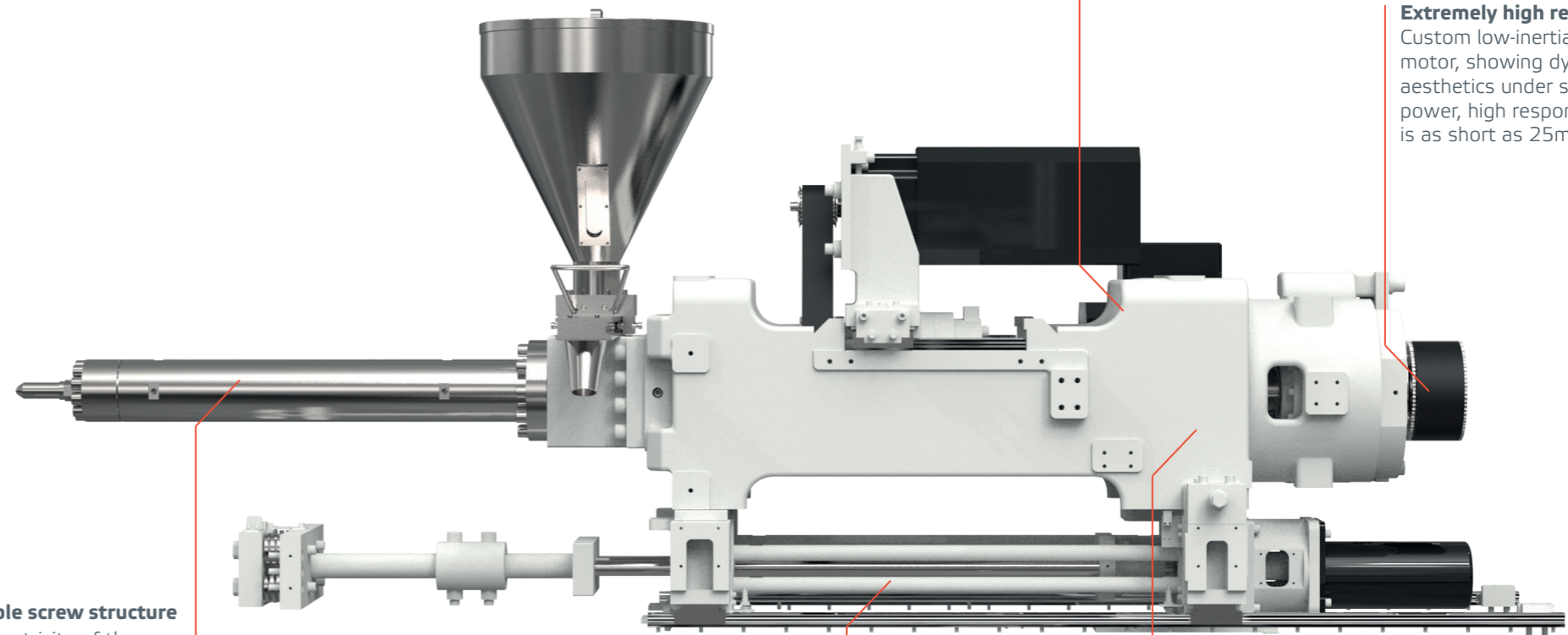
## Injection Unit

### Technical Advantages

- Pressure control accuracy is up to  $\pm 1$  bar, which can achieve 0.1% repeated precision of product quality
- Multiple injection speeds are available, up to 500mm/s
- Excellent low-speed characteristics, smooth injection below 1mm/s
- The screw runout is controlled within 0.05mm, and the optical special equipment can reach 0.03mm

#### Adjustable screw structure

The concentricity of the screw is guaranteed, and the production effect of optical-grade products can be easily realized. The hard alloy steel screw can improve the applicability of the screw and increase the life of the screw.



#### Top quality and durable

A full set of NSK transmission components, trade the best quality for the longest service life.

#### Extremely high response

Custom low-inertia servo motor, showing dynamic aesthetics under strong power, high response time is as short as 25ms.

#### Integrated injection base

The minimalist design eliminates accumulated errors in assembly and improves injection stability.

#### Double track structure

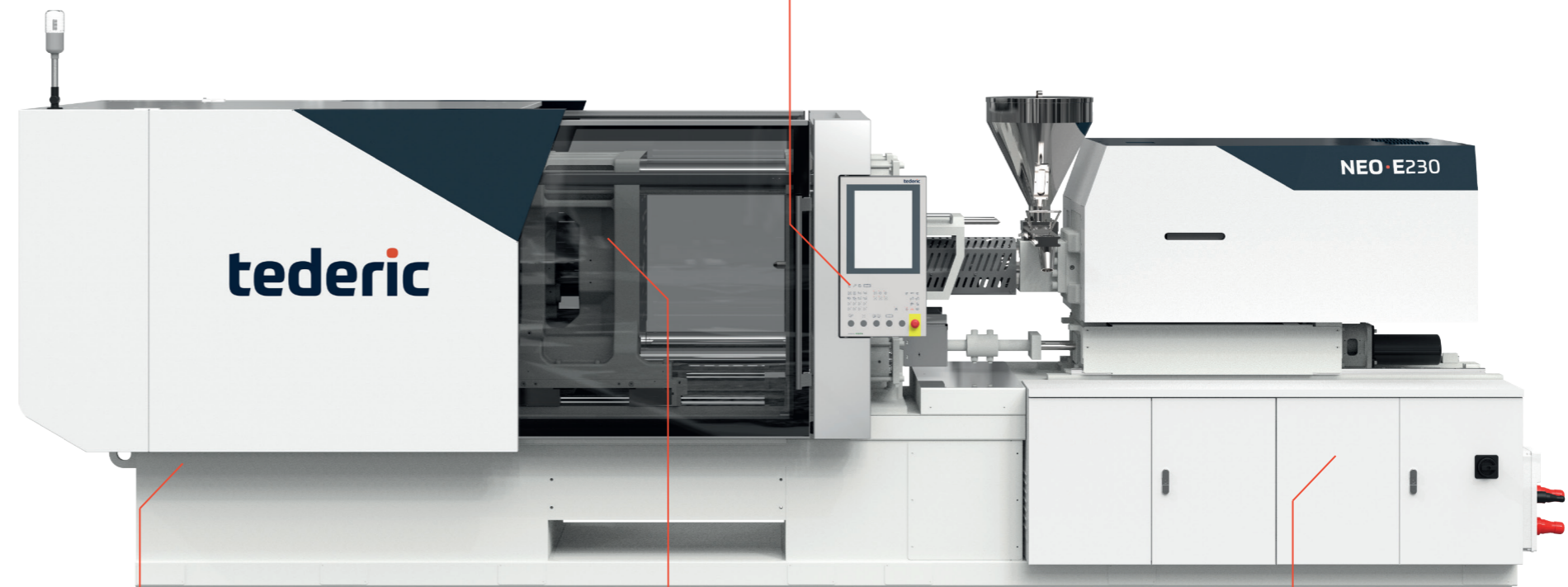
The injection starts quickly, runs smoothly, and has precise positioning.

# NEO·E

## Electrical

### Technical Advantages

- Dry cycle shortened by more than 10%
- Breakpoint self-protection function
- Low pressure mold protect full monitoring



#### Full motor professional control

The control system is fully upgraded, equipped with a 15-inch touch screen, which enhances the human-computer interaction experience.

#### Machine base structure

Machine base positioning design, modular assembly, automatic welding.

#### Mold ejector pins return confirmation interface

It is absolutely safe to protect the mold.

#### Modular electric control cabinet design

The electrical control cabinet adopts EMC design to prevent interference, the system is safe and reliable, and the maintenance is convenient.

# NEO·Ec

## New high-end hybrid IMM

### Technical Advantages

- Electric technology is used for injection, charge, and switch molds
- Open-close mold position repeated accuracy is up to 0.01mm
- Integrated servo-hydraulic power station to adapt to diversified mold needs
- The moving platen is guided by linear guides, with high accuracy, low energy consumption, and no pollution in the clamping unit.
- DC bus technology, energy-saving effect is prominent

